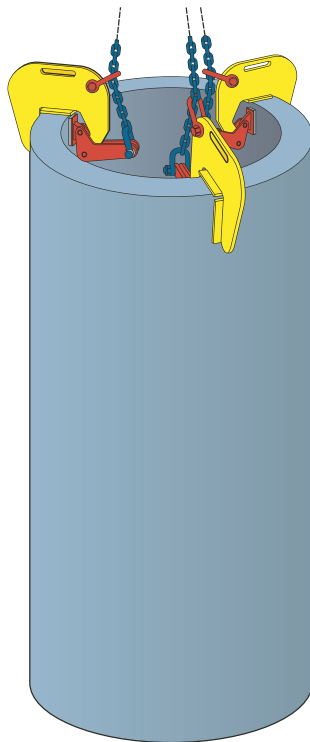
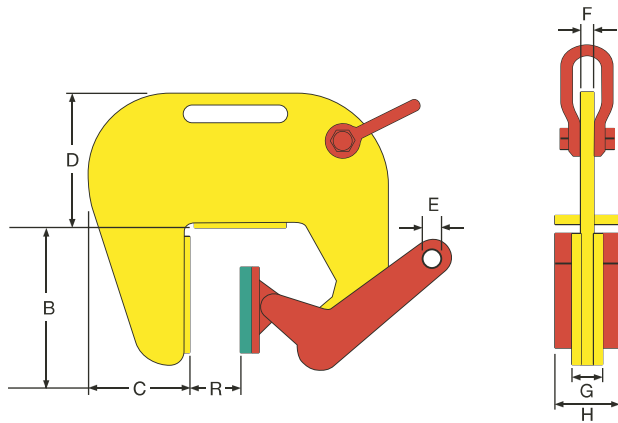


Pipe lifting clamps

TBC

- For vertical lifting and transporting of concrete pipe and wells.
- The TBC clamps must always be used in pairs or per three clamps.
- Higher capacities or other jaw opening upon request.
- The moveable side is fitted with a "special" high pressure plastic surface.



TBC



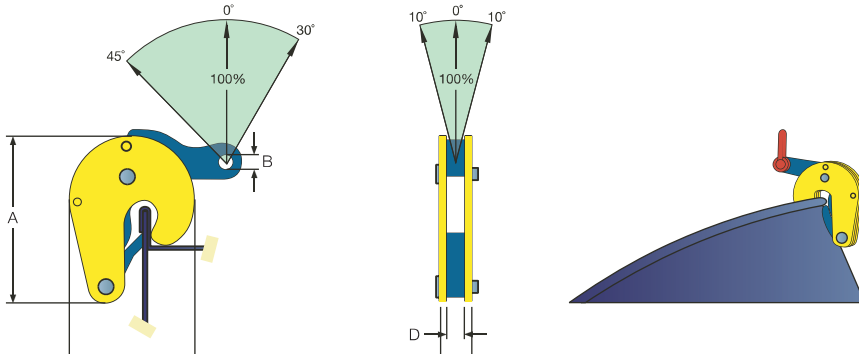
TBCT

Ref. nr.	Type	Capacity (kg)	Jaw-opening (R)	Dimensions in mm							Weight (kg/pc)
				B	C	D	E	F	G	H	
870050	0.5 TBC	500	60 - 120	170	110	160	12	12	25	60	10
870101	1 TBC	1000	60 - 120	170	110	160	12	12	25	60	10
S870101	1 TBCT	1000	60 - 120	235	60	75	16	12	35	35	8,5

Drum clamps

TVK/TVKH

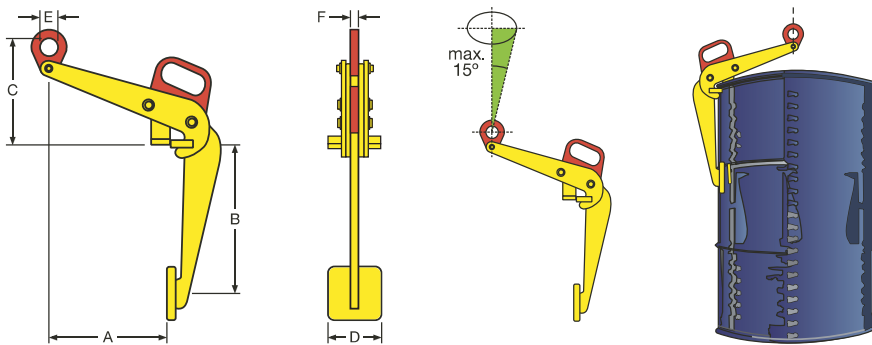
- For safe lifting and transporting of steel (oil) drums.
- With automatic locking mechanism.
- The TVK steel drum clamps are supplied with an original certificate.
- The TVK steel drum clamps can be used singleary or per pair as well.



Ref. nr.	Type	Capacity (kg)	Jaw-opening	Dimensions in mm					Weight (kg)
				A	B	C	D	E	
828000	TVK	500	0 - 17	129	12	96	15	28	1,6

TVKH

- For lifting, handling and transporting of (oil)drums, where the drums have to stay in a horizontal position.
- Capacity 0.6 tons.



Ref. nr.	Type	Capacity (kg)	Dimensions in mm						Weight (kg)
			A	B	C	D	E	F	
828100	TVKH	600	300	375	290	80	50	12	7

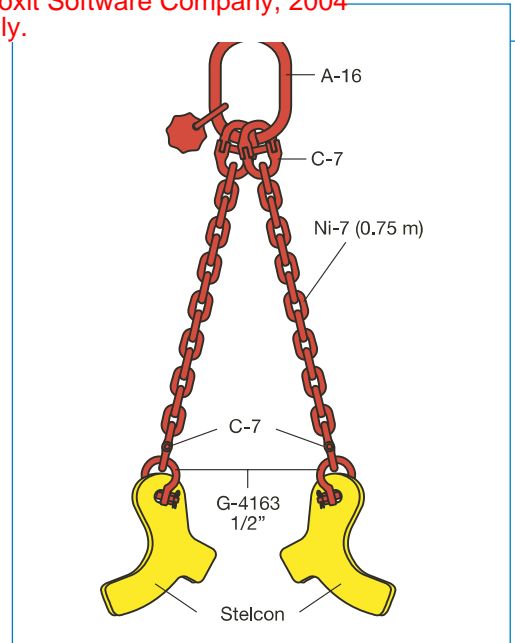
Vertical clamps with an extra ha

- Equipped with an extra hardened pivot and cam for lifting and transporting steel plates with a hardness of max. 50 HRC.
(for Hardox 400 and 500)
- Can be delivered as TS, TSMP and TSU model.
- Please ask for special specifications.
- For dimensions and loading diagrams see page 4, page 5 and page 6.
- Other capacity and jaw-opening on request.



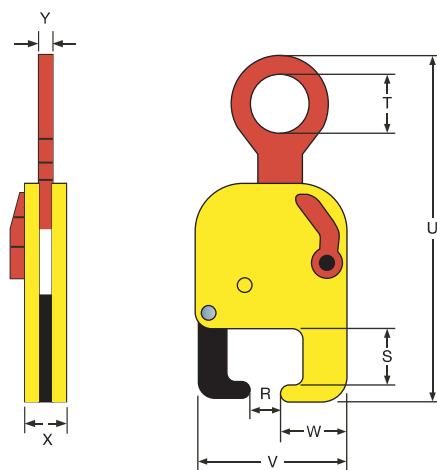
Ref. nr.	Type	Capacity (kg)	Jaw-opening (R) (mm)	Dimensions in mm							Weight (kg)
				S	T	U	V	W	X	Y	
850000.5	0.75 TS-H	750	0 - 13	47	30	205	100	25	37	10	1,6
850880.5	1 TSE-H	1000	0 - 25	55	44	240	142	38	35	15	3,6
850901.5	2 TSE-H	2000	0 - 35	78	65	350	185	55	43	17	6,5
850331.5	3 TSE-H	3000	0 - 35	78	65	350	185	55	54	17	6,7
850451.5	4.5 TSE-H	4500	0 - 45	85	68	430	245	64	67	22	15,9
850301.5	6 TS-H	6000	0 - 32	114	75	490	255	69	69	25	18,6
851501.5	7.5 TSE-H	7500	0 - 55	112	75	540	245	58	70	25	24
850010.5	0.75 TSMP-H	750	0 - 13	47	30	260	100	25	37	10	2
850818.5	1 TSEMP-H	1000	0 - 25	55	45	425	142	38	35	15	4,5
850911.5	2 TSMP-H	2000	0 - 35	80	65	510	180	58	43	17	7,7
850221.5	3 TSEMP-H	3000	0 - 35	80	65	515	185	55	42	15	8
851401.5	4.5 TSEMP-H	4500	0 - 45	85	68	705	245	64	67	22	19,2
850311.5	6 TSMP-H	6000	0 - 32	114	74	760	240	71	69	25	22,8
851510.5	7.5 TSEMP-H	7500	0 - 55	112	75	820	245	58	70	25	28
855000.5	0.75 TSU-H	750	0 - 13	47	30	210	100	25	37	10	1,7
865800.5	1 TSEU-H	1000	0 - 25	55	48	285	142	38	35	18	3,9
855601.5	2 TSEU-H	2000	0 - 35	80	70	380	180	58	43	18	7,3
865331.5	3 TSEU-H	3000	0 - 35	80	70	385	185	55	42	15	7,5
865301.5	4.5 TSEU-H	4500	0 - 45	85	68	425	245	64	67	25	16,7
865401.5	6 TSU-H	6000	0 - 32	115	80	520	245	64	69	32	21
865400.5	7.5 TSEU-H	7500	0 - 55	112	80	560	245	58	70	32	26

Stelcon platehooks



TRC

- For vertical transport of rail profiles.
- The TRC is equipped with a safety mechanism, ensuring the clamp does not slip when lifting force is applied and when load is being lowered.
- The clamp is locked in closed as well in open position.
- Other capacities or other profile dimensions on request.

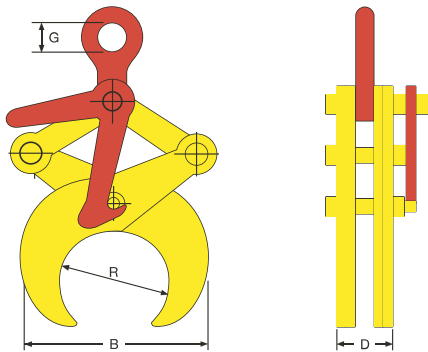


Ref. nr.	Type	Capacity (kg)	Jaw-opening (R)	Dimensions in mm							Weight (kg)
				S	T	U	V	W	X	Y	
815000	TRC	1500	40 - 75	63	65	390	170	70	48	16	7,5

Specials

TTL

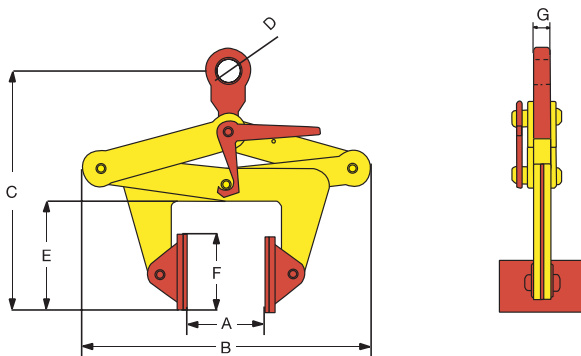
For vertical lifting of tubes, bundles of tubes and solid round material.



Ref. nr.	Type	Capacity (kg)	Jaw-opening (R) (mm)	Dimensions in mm			Weight (kg)
				B-max	D	G	
800550	0.5 TTL	500	48,3 - 114,3	215	47	42	4 kg
801011	1 TTL	1000	114,3 - 219,1	345	51	42	9 kg
802021	2 TTL	2000	219,1 - 368	610	60	65	31 kg
803036	3 TTL	3000	368 - 508	720	60	65	40 kg

TBLC

- For vertical lifting and transporting without marking of products with parallel sides in various materials as steel, wood, plastic, concrete, marble etc.
- The clamp is locked in the open position. To perform lifting, the operator must activate the handle and hold it up while the force on the lifting eye is going upwards. When laying down the load, the clamp automatically locks itself open.
- De pads are covered with special plastic to avoid damaging of the load.



Ref. nr.	Type	Capacity (kg)	Jaw-opening (A) (mm)	Dimensions in mm						Weight (kg)
				B min-max	C min-max	D	E min-max	F	G	
801250	0.25 TBLC	250	0 - 120	320 - 360	150 - 450	30	140 - 150	70*80	15	3
801500	0.5 TBLC	500	0 - 120	320 - 360	150 - 450	30	140 - 150	70*80	15	6
801000	1 TBLC	1000	60 - 250	510 - 660	350 - 530	45	180 - 220	100*120	17	9
801150	1.5 TBLC	1500	120 - 500	600 - 825	600 - 1200	65	250 - 300	100*120	20	10
801200	2 TBLC	2000	60 - 250	510 - 660	350 - 550	45	180 - 220	100*120	17	16
801300	3 TBLC	3000	120 - 500	600 - 825	600 - 1200	65	250 - 300	100*120	20	20