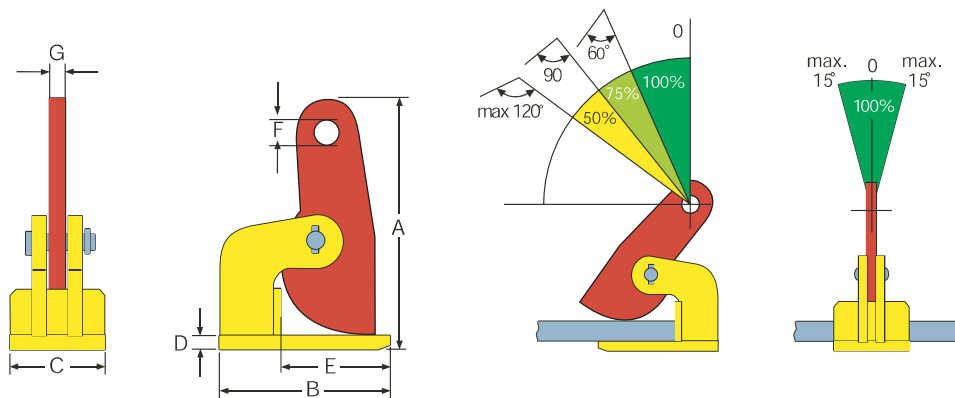
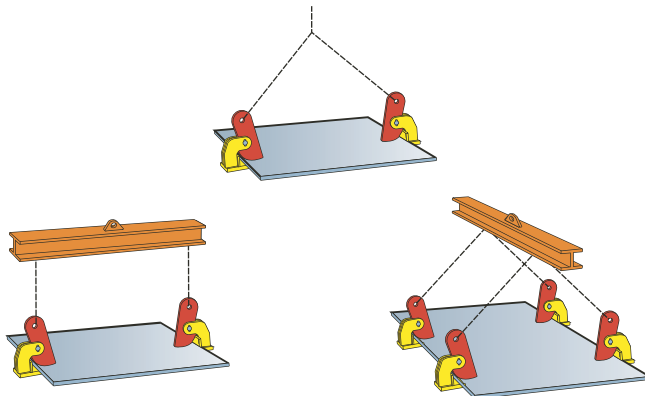


## Horizontal clamps

# FHX/FHSX

- For horizontal lifting and transporting of steel plates.
- The compact shape and relative light own weight with a high lifting capacity.
- The Terrier FHX/FHSX lifting clamps must always be used in pairs (or multiples thereof).
- Lifting capacity and jaw opening are clearly engraved in the body.
- The FHS has an enlarged jaw opening.

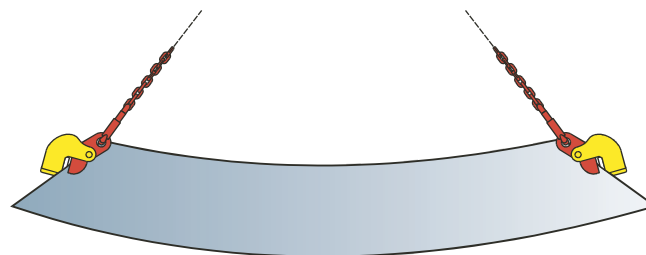
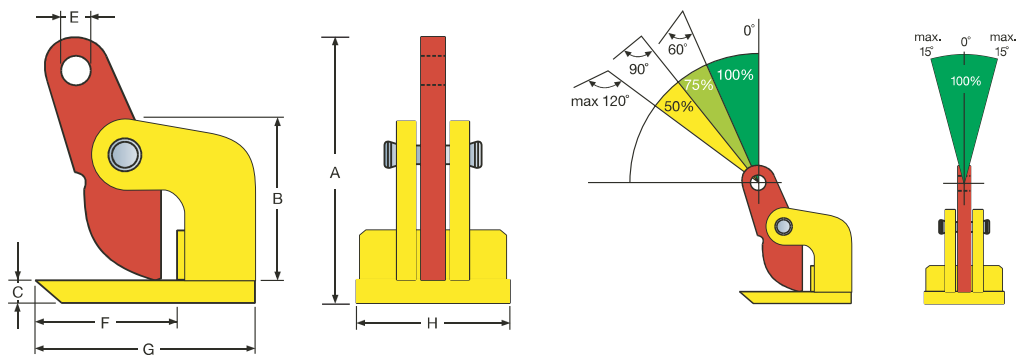


Ref. nr.	Tye	Capacity (kg/pair)	Jaw-opening (R) (mm)	Diemnsions in mm							Weight (kg/pc)
				A	B	C	D	E	F	G	
953100	1 FHX	1000	0 - 35	193	140	65	10	100	25	15	2,6
953200	2 FHX	2000	0 - 60	290	180	80	20	115	30,5	15	7,7
953300	3 FHX	3000	0 - 60	293	220	90	20	140	30,5	20	11,4
953400	4 FHX	4000	0 - 60	295	220	100	25	135	30,5	30	13
953600	6 FHX	6000	0 - 60	330	225	120	30	130	30,5	30	18
953800	8 FHX	8000	0 - 60	330	225	120	30	130	30,5	30	18
953010	10 FHX	10000	0 - 60	330	225	120	30	130	30,5	30	20
953012	12 FHX	12000	0 - 80	330	225	120	30	130	30,5	30	25
954200	2 FHSX	2000	0 - 100	380	180	80	20	115	30,5	15	9
954300	3 FHSX	3000	0 - 100	400	220	90	20	140	30,5	15	14
954400	4 FHSX	4000	0 - 100	410	220	100	25	135	30,5	20	16
954600	6 FHSX	6000	0 - 100	425	225	120	30	130	30,5	30	22
954800	8 FHSX	8000	0 - 100	425	225	120	30	130	30,5	30	22
954010	10 FHSX	10000	0 - 100	425	225	120	30	130	30,5	30	22
954012	12 FHSX	12000	0 - 100	425	225	120	30	130	30,5	30	22
853820	15 FHSX	15000	0 - 150	665	350	140	30	240	45	30	50

## Horizontal clamps

# TDH

- For lifting and transporting of thin sheets that deflect when being lifted.
- Compact shape and relatively low own weights, with a high lifting capacity.
- The Terrier TDH horizontal lifting clamps must always be used in pairs (or multiples thereof).

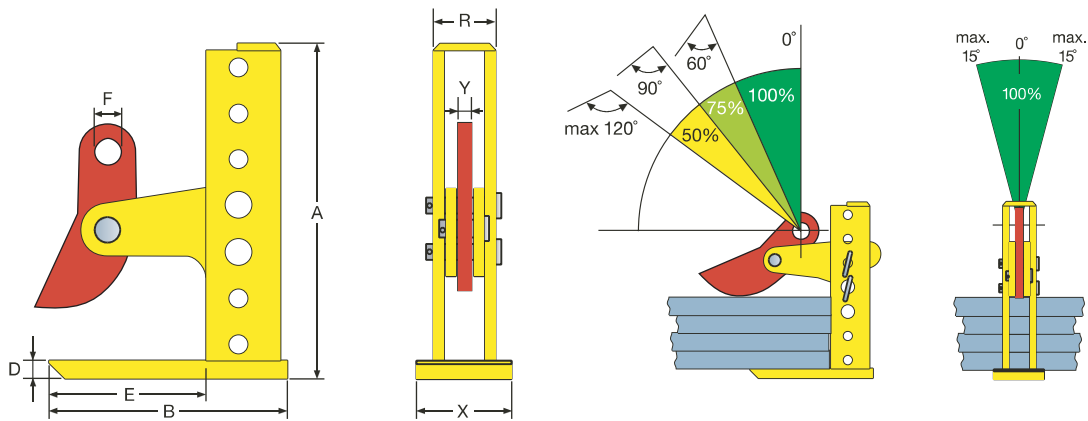


Ref. nr.	Type	Capacity (kg/pair)	Jaw-opening (R) (mm)	Dimensions in mm								Weight (kg/pc)
				A	B	C	E	F	G	H		
970100	1 TDH	1000	0 - 15	190	85	10	20	95	140	65	2,7	
970200	2 TDH	2000	0 - 35	235	135	20	25	110	180	80	7,5	

## Horizontal clamps

# THSK

- For lifting, handling and transporting of packages and single steel plates
- The Terrier THSK horizontal lifting clamps must always be used in pairs (or multiples thereof).
- Capacity 1.5 tons per pair upto 9 tons per pair.
- Opening 3 - 180, 3 - 300 and 3 - 420 mm.

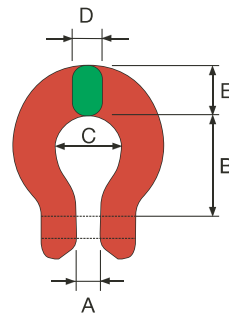
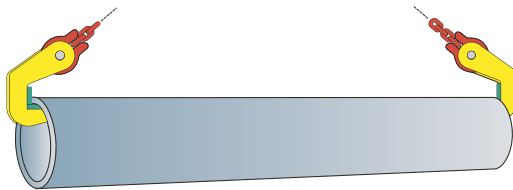
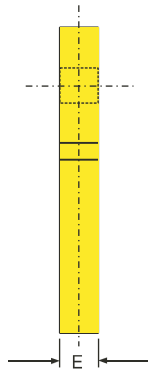
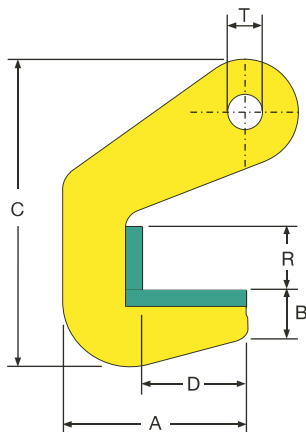


Ref. nr.	Type	Capacity (kg/pair)	Jaw-opening (R) (mm)	Dimensions in mm								Weight (kg/pc)
				A	B	D	E	F	R	X	Y	
815180	1.5 THSK/180	1500	3 - 180	290	200	15	135	27	60	87	20	9
815300	1.5 THSK/300	1500	3 - 300	410	200	15	135	27	60	87	20	11,5
830180	3 THSK/180	3000	3 - 180	300	240	20	165	27	70	105	20	14,5
830300	3 THSK/300	3000	3 - 300	410	235	20	165	27	70	105	20	13
845180	4.5 THSK/180	4500	3 - 180	300	240	20	165	27	70	105	20	13
845420	4.5 THSK/420	4500	3 - 420	530	235	20	170	27	70	105	20	15
860180	6 THSK/180	6000	3 - 180	305	250	25	160	27	77	120	20	20
860420	6 THSK/420	6000	3 - 420	540	250	25	165	27	75	120	20	23
890180	9 THSK/180	9000	3 - 180	305	250	25	160	27	77	120	20	25,5
890420	9 THSK/420	9000	3 - 420	540	250	25	165	27	75	120	20	29,5

## Horizontal clamps

# TPH

- For horizontal lifting and transporting of steel and concrete pipes.
- Compact shape and relatively low own weight with a high lifting capacity.
- The surface is equipped with "special" plastic.
- The Terrier TPH will be delivered per pair.
- Plastic cover is easy to change.
- TPH can be delivered with Berglock-coupling BL.



Ref. nr.	Type	Capacity (kg/pair)	Jaw-opening (R) (mm)	Dimensions in mm						Weight (kg/pc)
				A	B	C	D	E	T	
960150	1.5 TPH	1500	40	120	32	175	70	37	15	1,6
960300	3 TPH	3000	40	120	32	175	70	37	15	1,6
960400	4 TPH	4000	50	120	32	195	70	42	25	2
960600	6 TPH	6000	50	120	32	195	70	42	25	3,3
960800	8 TPH	8000	70	120	32	195	70	41	26	4,5
960810	10TPH	10000	70	120	32	215	70	67	26	7,5
960812	12TPH	12000	70	120	32	215	70	67	26	4,5
960815	15TPH	15000	70	120	32	215	70	67	26	10
960820	20TPH	20000	70	120	32	215	70	67	26	16
BL-8	7/8-8 BL	2000 / pc		7/8	35	25	11	18		,20
BL-10	10-8 BL	3200 / pc		10	45	32	14	22		,40
BL-13	13-8 BL	5400 / pc		13	56	40	17	28		1 kg